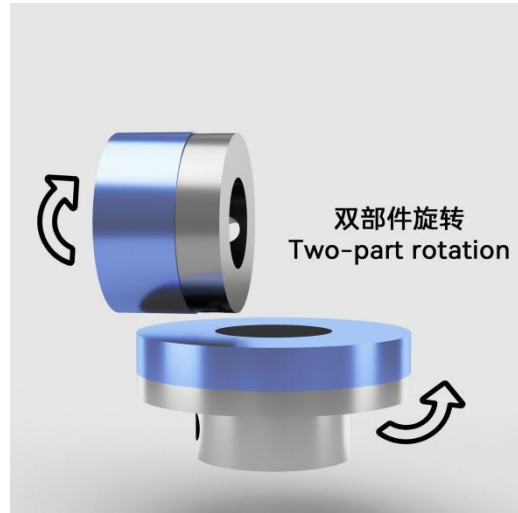


Magnetic bevel gear/coupling

Summary

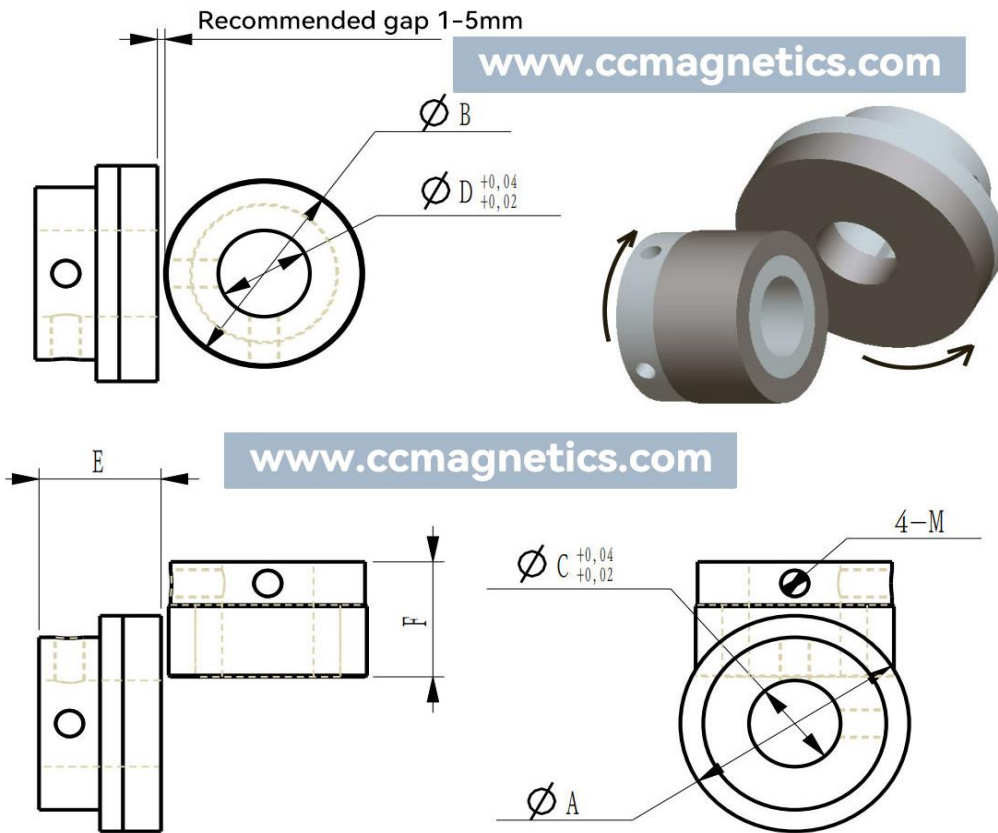


[Magnetic bevel gear](#) is another type of non-contact right-angle magnetic transmission system. Unlike the [CT \(cross type\) series](#), it differs in terms of torque and transmission ratio. A magnetic bevel gear/coupling consists of a disc coupling and a [PT \(cross type\) series](#) magnetic pinion gear. The standard material for the surface is stainless steel 304, but PVC (Polyvinyl chloride) and stainless steel 316L can also be customized. The standard internal magnet material is neodymium iron boron, but samarium cobalt magnet can also be customized, allowing the high-temperature resistance to be increased from 80C (176F) to 280C (536F).



Parameter

XB



Part Number Example:

XB-30-8-26-8-P-A-F

- MC-material coverage: fully
- SFM-shaft fix method: A
- SCM (surface covering material): P
(P= PVC stainless steel)
- Small gear shaft diameter: 8mm
- Small gear outside diameter: 26mm
- Large gear shaft diameter: 8mm
- Large gear outside diameter: 30mm

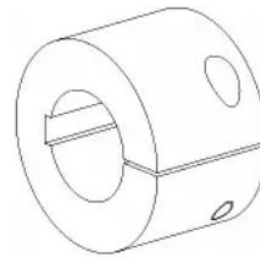
Term	Explanation	Notes
SFM	Surface Covering Material	A=A6061 (aluminum alloy), S=SUS304 (stainless steel), L=SUS316L(stainless steel), T=TC4 (Titanium Alloy).
SFM	Shaft Fixing Method	A or C, refer to the picture for details.
MC	Material Coverage	F= Fully, H= Half
DR	Drive ratio	Magnetic drive ratio
Tq1	Torque	The torque value shown is for a 1mm gap.
Tq5	Torque	The torque value shown is for a 5mm gap.



Type A
setscrew



Type B
with feather keyway
and setscrew



Type C
clamping hub
single slot with
feather keyway

Typ	A	C	B	D	SCM	SFM	MC	DR	Tq1	Tq5	E	F
XB	30	8~15	26	8~15	A/S/L/P	B/C/A	F	1:1	0.45	0.04	16	21
XB	35	8~15	30	10~16	A/S/L/P	C/A	F/H	5:4	0.7	0.06	16	20
XB	47	12~20	35	15~22	A/S/L/P	C/A	F/H	1:1	1.3	0.18	21	25
XB	60	15~25	45	15~25	A/S/L/P	C/A	F/H	1:1	2.5	0.34	25	30
XB	60	15~22	50	15~30	A/S/L/P	C/A	F/H	1:2	2.6	0.9	33	45
XB	65	15~25	45	15~25	A/S/L/P	C/A	F	1:3	3.1	0.8	24	30
XB	75	18~25	52	15~30	A/S/L/P	C/A	F	1:4	4.2	1.1	27	33
XB	80	15~22	60	20~35	A/S/L/P	C/A	F	4:3	6	1.4	33	45
XB	100	15~22	60	20~35	A/S/L/P	C/A	F	2:1	7.1	1.75	33	45
XB	130	40	90	40	A/S/L/P	C/A	F	1:1	11	2.8	45	70

Special Customized magnetic gear

We can manufacture magnetic gears & couplings with different functions, according to your requirements, high-temperature resistance, anti-oxidation, anti-corrosion, various shapes of mounting shafts, etc.



Anti-corrosion(PVC) magnetic gear



Stainless steel magnetic gear



Magnetic reinforced magnetic gear



Fully sealed magnetic gear

About Us:

Established in 2010 and headquartered in Beijing, China, CCmagnetics is a duly registered commercial entity operating under the auspices of the Chinese industrial and commercial authorities.

CCmagnetics supplies contactless magnetic drives products to 39 countries and regions worldwide. This is made possible by: exquisite workmanship, meticulous and professional service, and extremely high overall cost performance. Our products have won widespread praise from global customers.

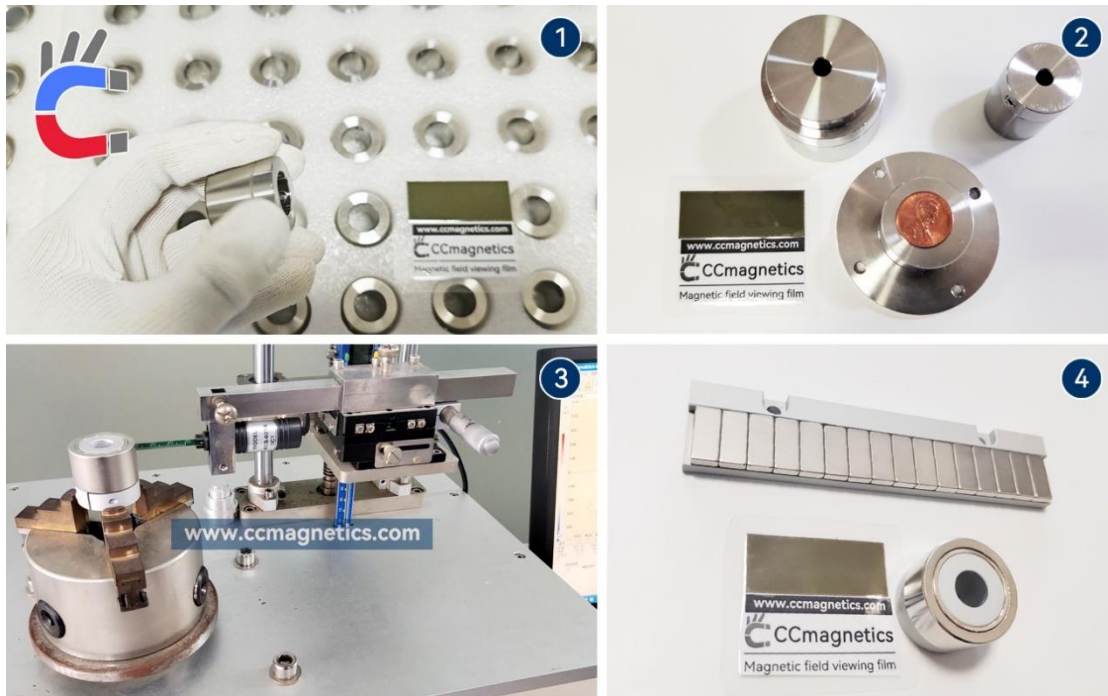


Image Captions:

1. Stainless steel 316l (UNS31603) PT series magnetic gear pairs awaiting packaging and shipment to germany.
2. Custom-made stainless steel 304 (UNS30400) co-axial magnetic couplings for our valued customer.
3. All magnetic drive/transmission products undergo rigorous magnetic field testing before shipment.
4. Custom-made rack pinion gears designed for laboratory liquid shaking applications.

Representative Patents

Since its inception, our company has been dedicated to the field of magnetic transmission and magnetic rings. Our representative patents include:



- Patent Name 1: Comprehensive management system for magnetic ring production line.
- Patent Name 2: Fixture tooling for rubber mold.
- Patent Name 3: Axial magnetization equipment.
- Patent Name 4: Magnetic detection equipment for sealing ring.
- Patent Name 5: Torque adjustable magnetic coupling.
- Patent Name 6: Magnetic suction coupling with clutch function.

Ordering Information:

Payment:

We accept payment via proforma invoice and 100% T/T.
Credit card payments are accepted, but a 2.9% surcharge will apply.

Packaging and Logistics:

We accept delivery through the customer's preferred shipping company.
Our packaging materials, including tinplate, kraft paper, and foam, fully comply with EU environmental regulations.

Delivery Time:

Shipment will be arranged within 30 days after receipt of payment. Delivery time may be shorter if our factory schedule permits.
Transportation time is estimated to be 7-10 days.

After-sales Service:

- Our products undergo rigorous quality inspection and testing before leaving the factory.
- Based on the demagnetization curve of neodymium iron boron, our products have a lifespan of 60-100 years under normal conditions.
- Our products are made of metal and magnets that meet international standards, and the adhesives are made of the well-known brand 3M, and additional material safety reports can be provided.
- If any quality issues are found within one year, please provide photos as proof. We will compensate with a new product in your next order. The defective product does not need to be returned.

Contact us: